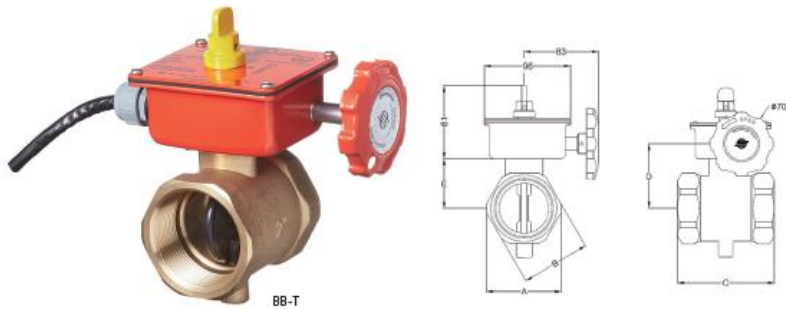


Bronze Butterfly Valve
BB-T



BB-T

SPECIFICATIONS

- WORKING PRESSURE 175 psi (12 bar)
- MAX. TEST PRESSURE 350 psi (24 bar)
- TEMPERATURE RANGE -250°F (-120°C)

Factory installed UL Approved Tempered Switch for indoor and outdoor use

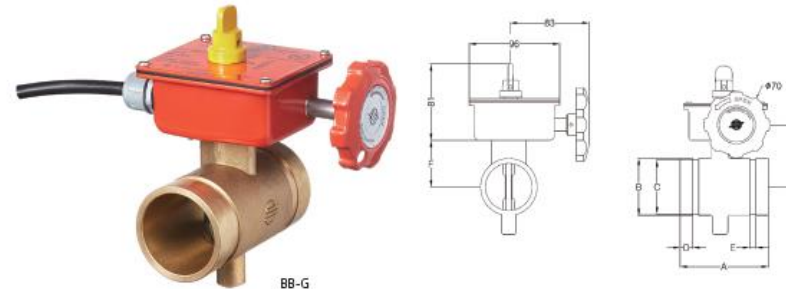
MATERIAL SPECIFICATIONS

Component	Material
Body	Brass, Bronze
Disc	Bronze EPDM Encapsulated
Stem	AISI 410
Signal Gearbox	ASTM A619
Hand Wheel	ASTM A619
O-ring	EPDM
Gasket	EPDM

DIMENSIONS

Nominal Valve Size Inches (DN)	Pipe OD Inches	Nominal Dimensions Inches (mm)					Weight Lbs. (kg)
		A	B	C	D	E	
1	1.32	1.72 (43.7)	1.56 (39.7)	2.13 (54.0)	2.05 (52.0)	1.46 (37.0)	3.30 1.5
1-1/4	1.66	2.09 (53.2)	1.93 (49.0)	2.64 (67.0)	2.20 (56.0)	1.61 (41.0)	3.74 1.7
1-1/2	1.90	2.20 (56.5)	2.20 (56.0)	2.87 (73.0)	2.32 (59.0)	1.73 (44.0)	3.96 1.8
2	2.38	2.99 (76.0)	2.76 (70.0)	3.24 (82.4)	2.52 (64.0)	1.99 (49.0)	5.28 2.4
2-1/2	2.88	3.50 (89.0)	3.31 (84.0)	4.09 (104)	2.56 (65.0)	1.97 (50.0)	6.62 3.1

Bronze Butterfly Valve
BB-G



BB-G

SPECIFICATIONS

- WORKING PRESSURE 175 psi (12 bar)
- MAX. TEST PRESSURE 350 psi (24 bar)
- TEMPERATURE RANGE -250°F (-120°C)

Factory installed UL Approved Tempered Switch for indoor and outdoor use

MATERIAL SPECIFICATIONS

Component	Material
Body	Brass, Bronze
Disc	Bronze EPDM Encapsulated
Stem	AISI 410
Signal Gearbox	ASTM A619
Hand Wheel	ASTM A619
O-ring	EPDM
Gasket	EPDM

DIMENSIONS

Nominal Valve Size Inches (DN)	Pipe OD Inches	Nominal Dimensions Inches (mm)							Weight Lbs. (kg)
		A	B	C	D	E	F	G	
2	2.38	4.49 (114)	2.37 (60.3)	2.25 (57.1)	0.62 (15.8)	0.31 (7.9)	1.97 (50.0)	2.56 (65)	4.84 (2.2)
2-1/2	2.88	4.49 (114)	2.87 (73.0)	2.72 (69.0)	0.62 (15.8)	0.31 (7.9)	1.97 (50.0)	2.56 (65)	5.28 (2.4)